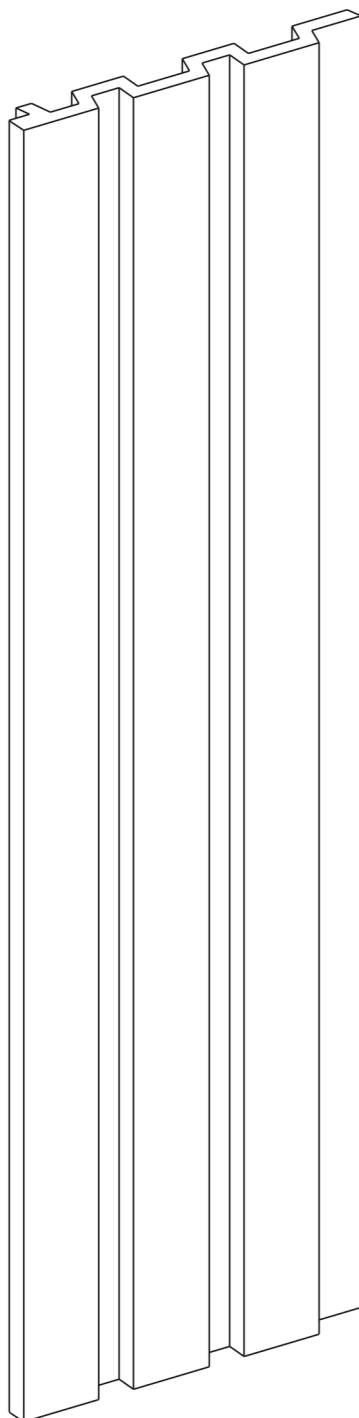


# LINERIO SLAT PANELS

Installation instructions



# INSTALLATION INSTRUCTIONS

## General Information with or without trims

- Linerio panels should be installed with glue
- panels can be installed vertically, horizontally or diagonally
- the person installing the boards should have basic technical knowledge and be familiar with safety precautions
- after unpacking, each board's quality should be checked (for scratches, pattern print errors, discolorations)
- any noticeable product defects must be reported prior to installation.- Complaints will not be considered after the goods have been installed.
- prior to the installation, the panels should be stored in the room where they are to be installed – to adjust to the ambient temperature
- the panels may be finished with trim or without trim
- the product can be installed in damp areas (kitchen, bathroom), except places exposed to direct contact with water.
- it must not be installed in areas of increased temperatures (above 60° C), like a sauna, on a chimney, next to a cooker
- the product is only suitable for indoor applications
- 100% recyclable
- any non-compliance with the instructions will void the product's warranty

## Hanging shelves on panels

- no additional weight should be applied to the board, and neither should it be a bearing element in construction
- no hangers, shelves or any other objects may be directly screwed to the board
- instead, they should be mounted to the surface underneath the board, with screws or anchors intended for the given type of surface. To do so, drill the appropriate hole in the board, allowing for such possibility

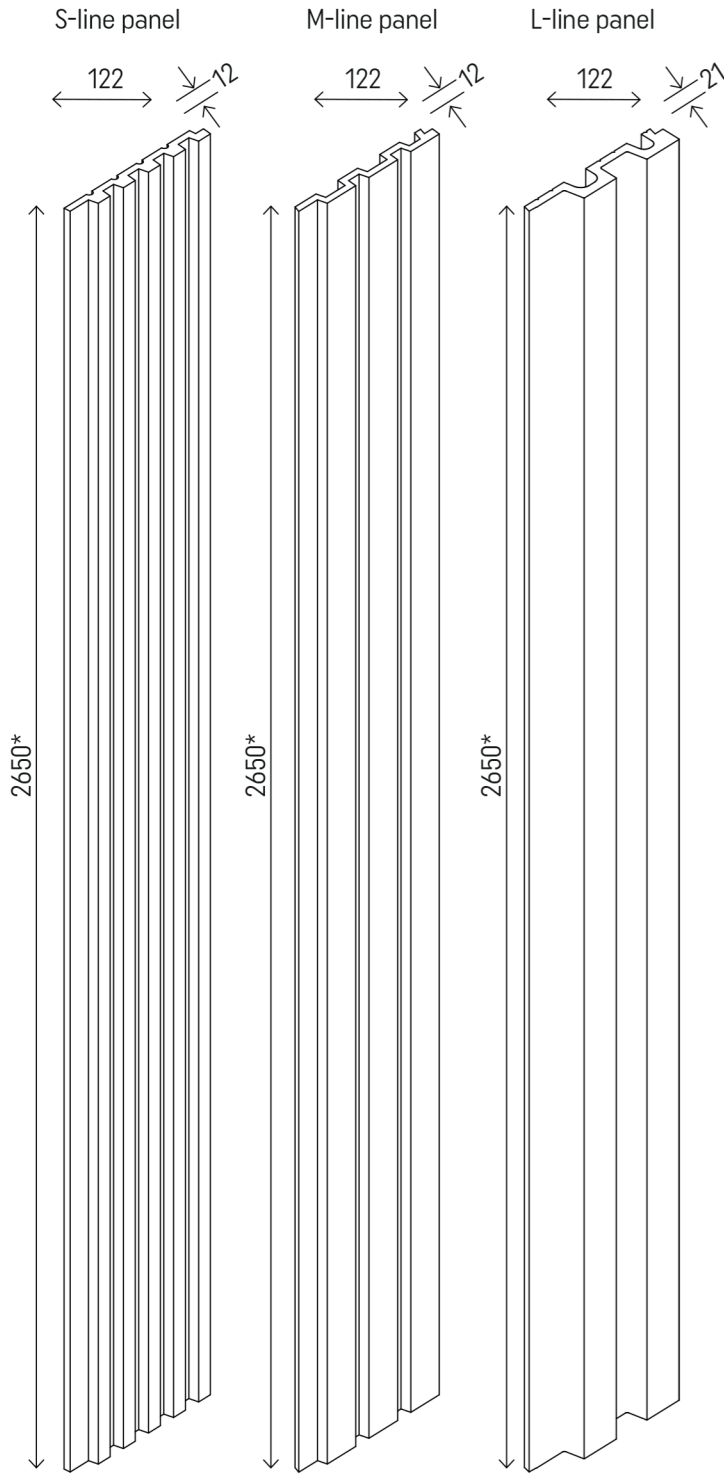
## Installation of the panels

- the surface must be smooth, non-crumbling, ensuring good adhesion for the adhesive
- the first installation step should be the proper arrangement of the panels and trims in relation to the height and width of the wall
- cutting the panels and trims is best done from the B-side – the non-decorative side
- we recommend the use of one-component polymer hybrid adhesives that do not contain solvents or isocyanates, e.g. VOX glue
- the glue should be applied according to its instructions, in a well-ventilated room
- in order to use less glue and prevent it from flowing out on the sides, the tip of the glue should be cut off for application. (see point 2)
- apply the glue vertically on the panels and trims in places where they adhere to the wall. (see point 2)
- installation should always proceed from left to right and from bottom to top; if there is an outside corner, installation should proceed from the corner to the left and to the right.
- the first panel or trim should be installed in such a way as to maintain its vertical and horizontal position, preferably with a spirit level (see point 3)
- when finishing wall corners using universal U-shaped trims, the trims should be cut at a 45-degree angle. (see point 6)
- in case of external wall corner finishing, the panels should be turned towards each other with the shorter panel lock, in case of internal corner finishing – with the longer panel lock. (see point 7 and 8)
- it is possible to adjust the length of the last left panel in relation to the length of the wall and to finish the corner by cutting the panel reaching the inner corner. (see point 9 inner corner in version B)
- in case of using finishing trims without corners, the installation should begin with the left L trim and end with the right R trim. (see picture 3)
- in case of installation without corners with the use of all trims, it is possible to cover the cut side of the universal U trims by cutting the left trim. (see point 5)
- for cutting you can use: hand saw, jigsaw, table saw
- when installing on the ceiling, remember that the panels and trims at the wall-ceiling contact point must be cut at an angle of 45 °, this will help to obtain an angle of 90 °

## Cleaning

- clean the panels with a mild detergent
- do not allow liquid stains to dry
- cleaning substances left on the panels can cause discoloration
- do not use water at a temperature of + 40 ° strong detergents, bleaching agents, solvents, strong acids and bases, and abrasives

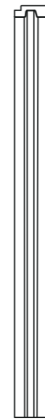
# PANELS AND TRIMS



S-Line  
left trim  
2650\*x28x12



S-Line  
right trim  
2650\*x35x12



M-Line  
left trim  
2650\*x42x12



M-Line  
right trim  
2650\*x26x12



Universal trim U – S/M line  
2650\*x25x12



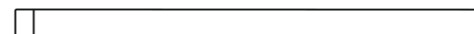
L-Line  
left trim  
2650\*x61x21



L-Line  
right trim  
2650\*x32x21

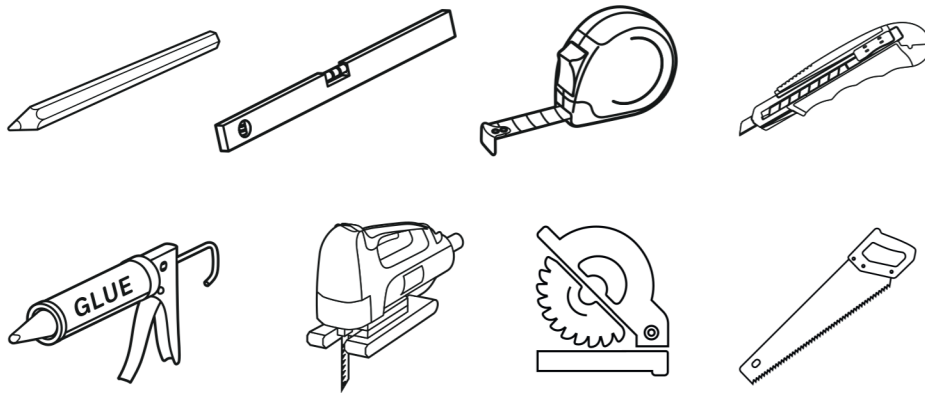


Universal trim U –L-line  
2650\*x30x21

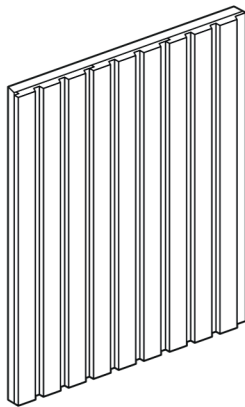


\* The product may be longer than the declared dimension by approximately 2 cm.

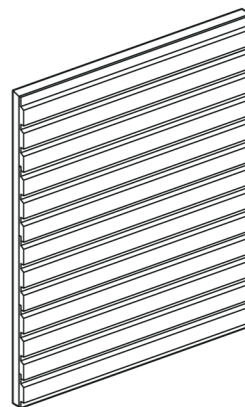
## TOOLS



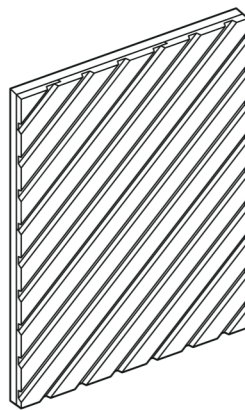
## INSTALLATION OPTIONS



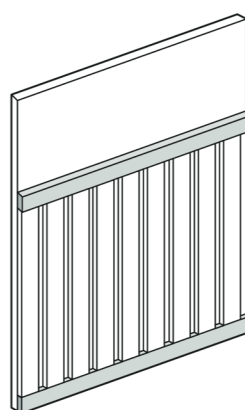
Vertically



Horizontally

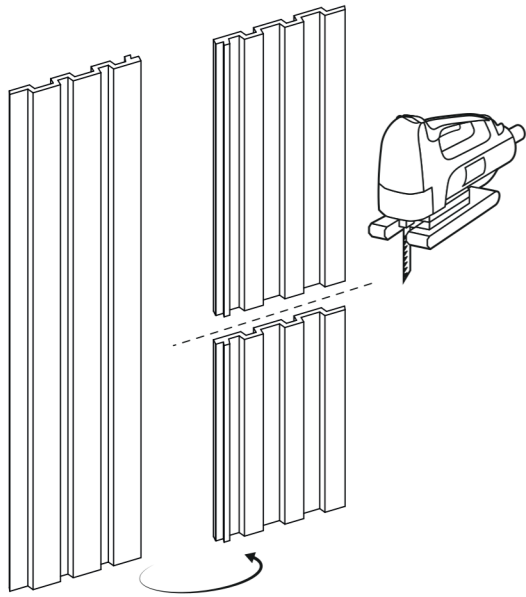


Diagonally

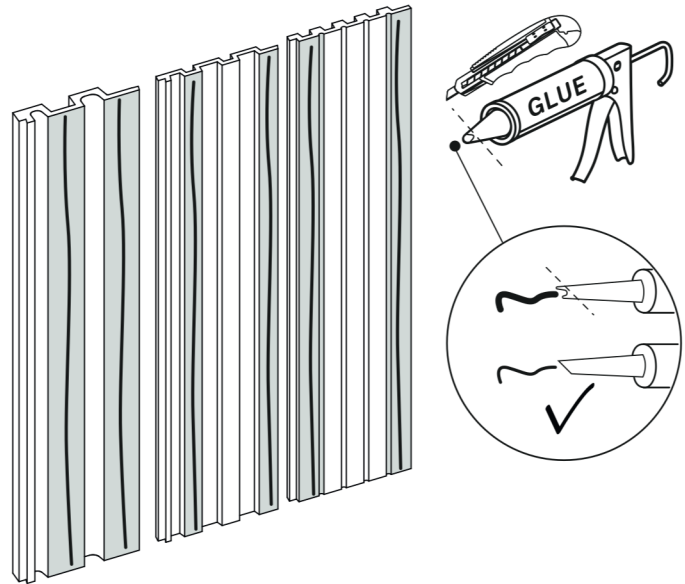


Paneling

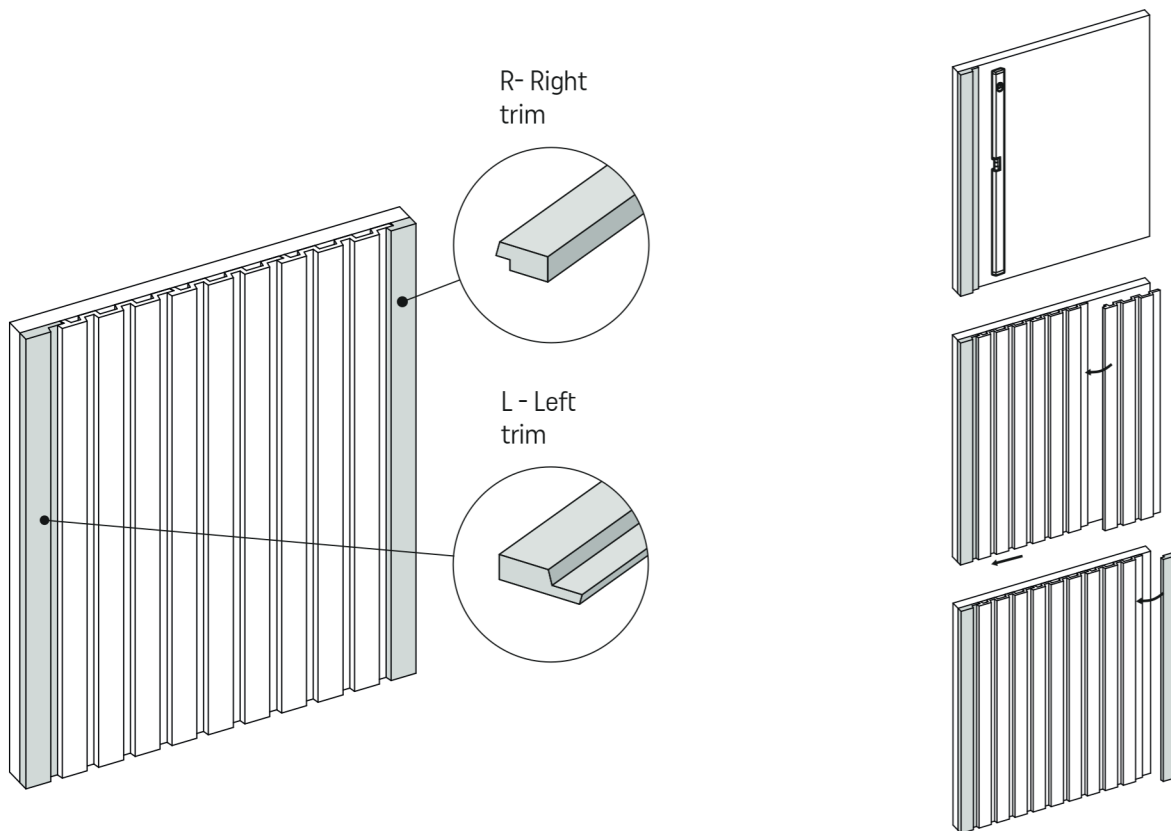
1. Cutting



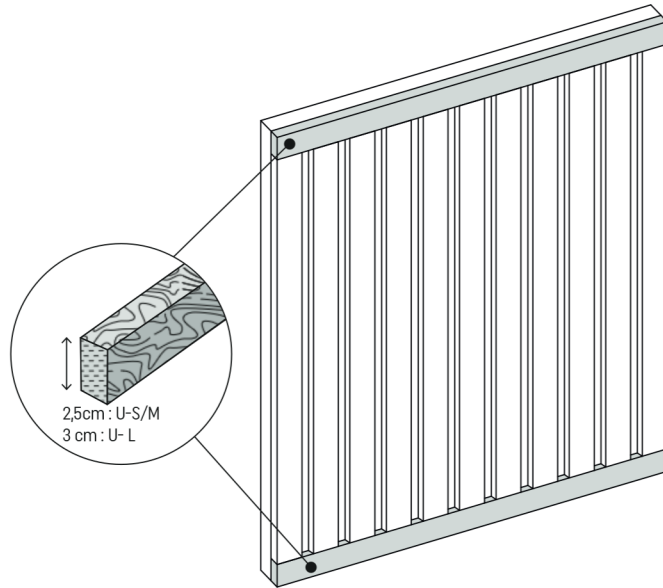
2. Glue application



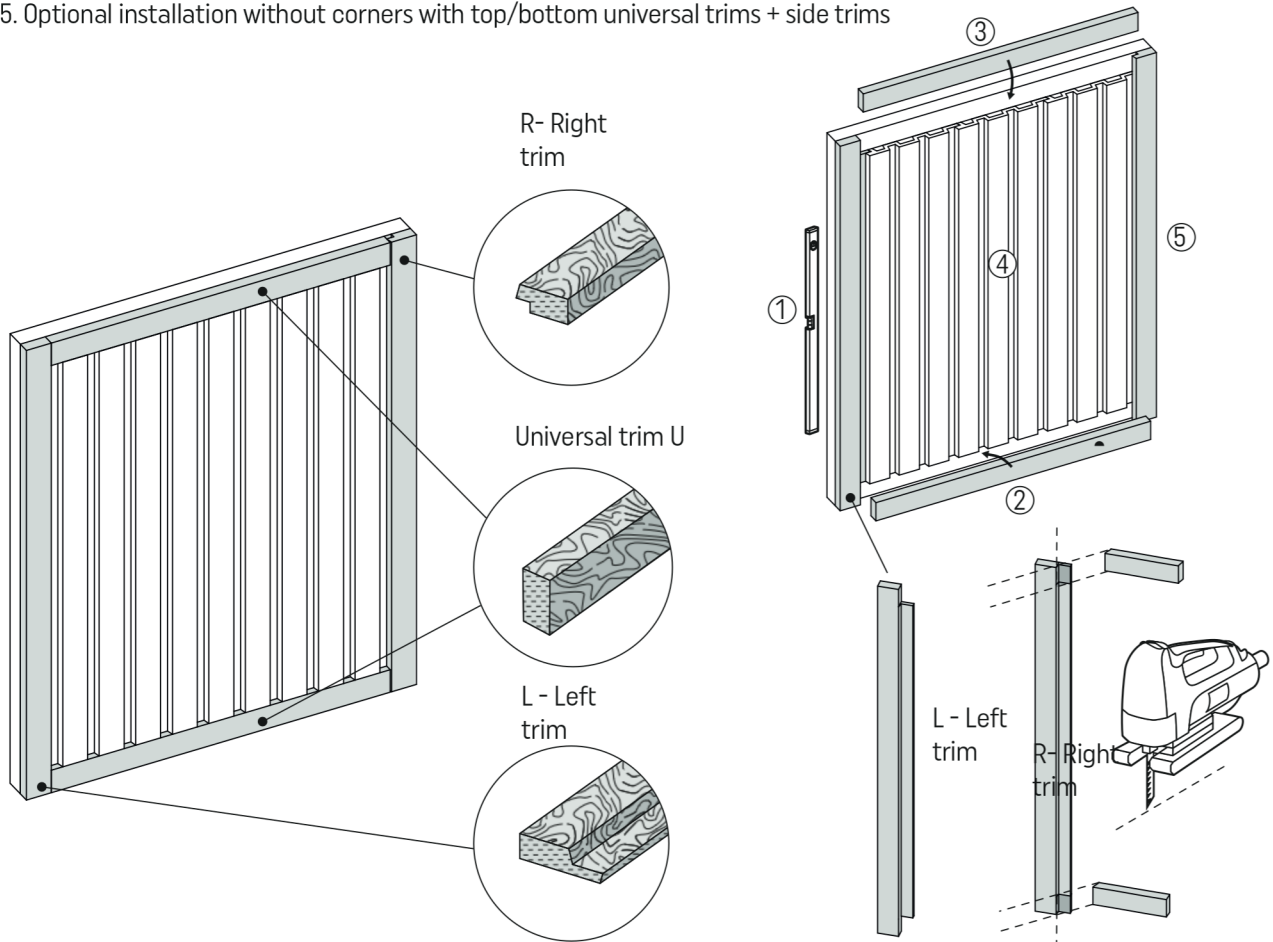
3. Installation with side trims



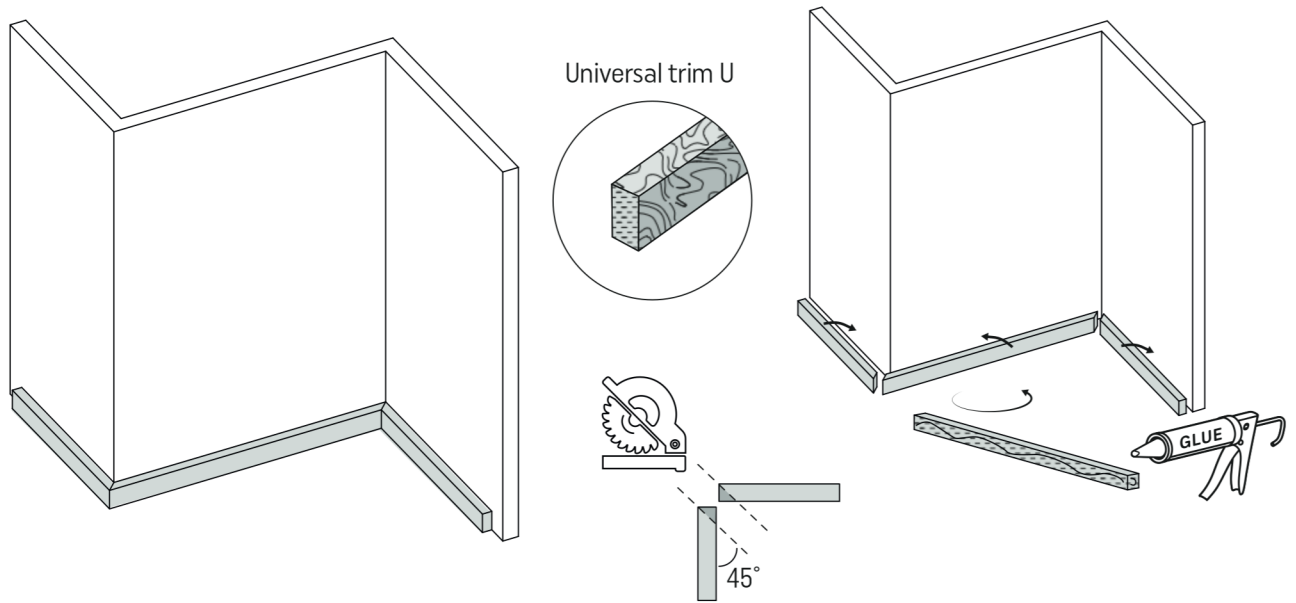
4. Installation with top/bottom universal trims



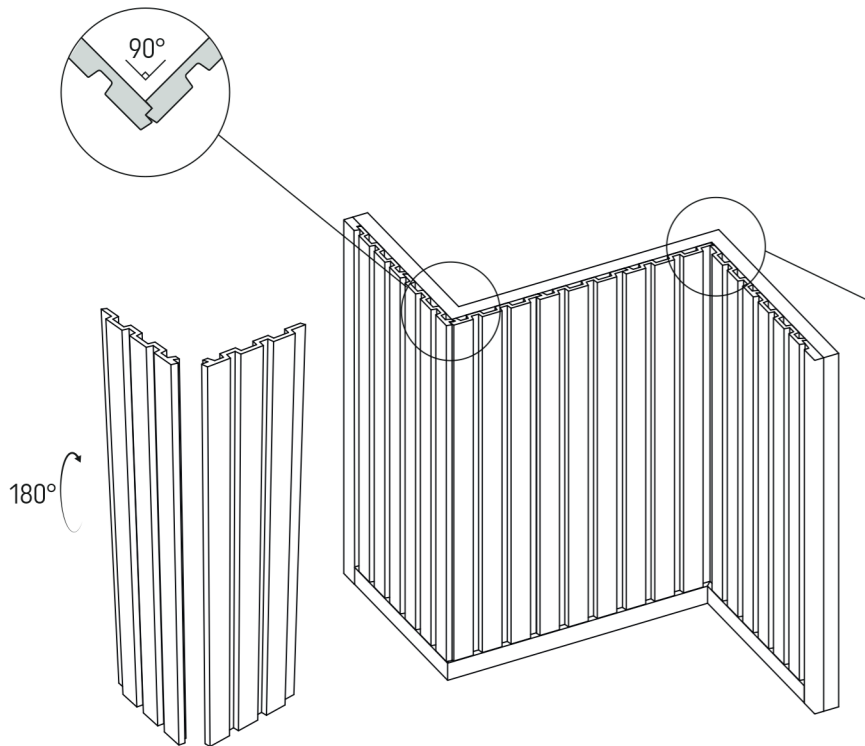
5. Optional installation without corners with top/bottom universal trims + side trims



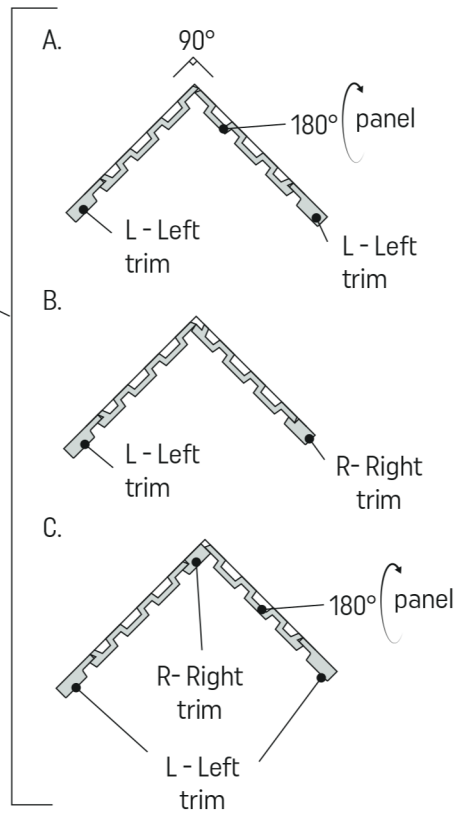
6. External and internal corners – universal U trim



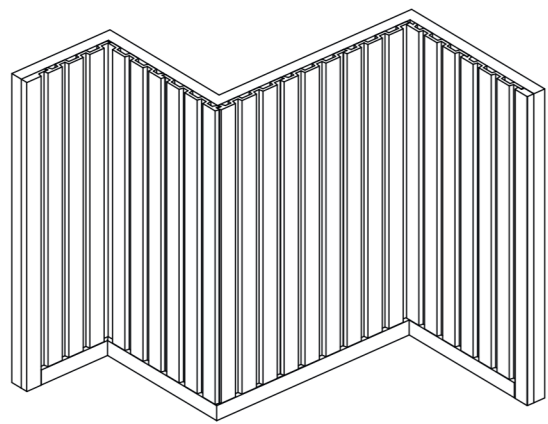
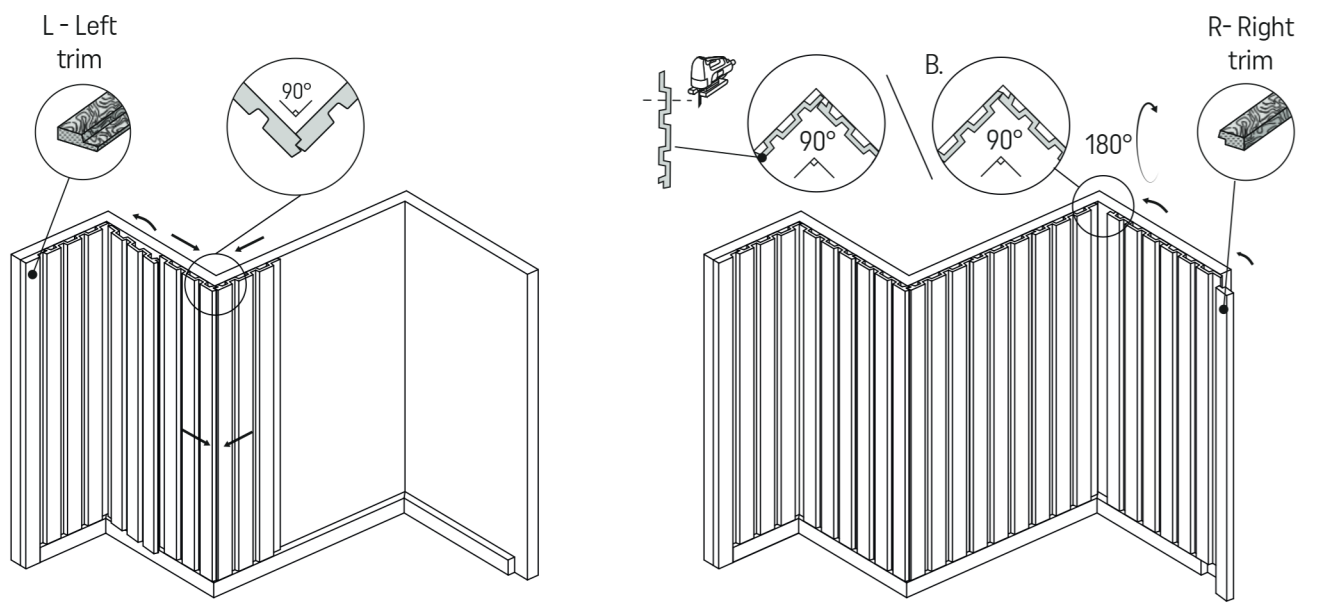
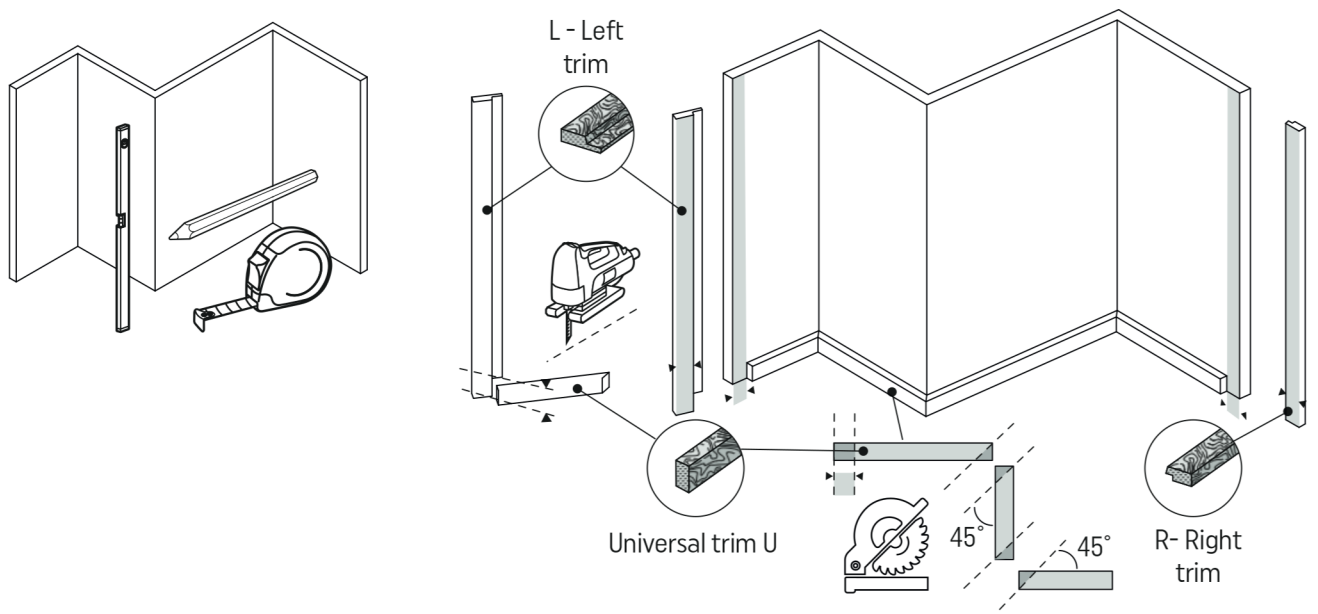
7. External corner – panels



8. Internal corner – panels



9. Installation with corners, universal bottom trim + right/left side trims



10. Wall ceiling installation

